

GRIPZ

Multi-Purpose Adjustable Hanger

Suitable for hanging a variety of building services including ductwork, cable basket, lighting and displays.

- Easy push-fit design and clear cable entry points
- Slide release button for intuitive use
- Safe working load of up to 150 lbs / 70 kg
- Faster to install than traditional rod methods



Product Specification

Material

- Housing - Zinc Alloy (ZL2)
- Buttons - Acetal copolymer
- Rollers - Carbon Steel
- End Caps - Polypropylene
- Springs - Stainless Steel
- Safety Factor 3:1
- Operating Temperature Range -
-4°F ~ +158°F / -20°C ~ +70°C

Performance

Wire Rope Diameter	Safe Working Load	
5/64 " / 2 mm	110 lbs	50 kg
3/32 " / 2.5 mm	150 lbs	70 kg

Compatibility

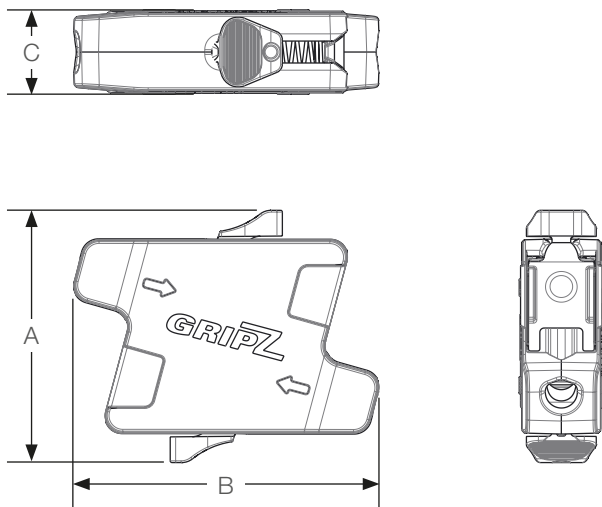
- Wire Diameter – 5/64 " / 2 mm, 3/32 " / 2.5 mm
- Wire Construction – 7 x 7
- Wire Nominal Tensile Strength – 1960 MPa
*Pre-Galvanised Class B Wire Rope, Manufactured to BS EN 12385
- Maximum Inclusive Angle – 60°
- Minimum Tail Wire Length – 4" / 100 mm
- Corrosion Classification – C1 indoor and C2 indoor

Approvals

- Canadian Underwriters Laboratories (cUL Listed)
 - cUL listed per UL 2239. Listed only for support of cable/conduit. File No. E251132
 - cUL listed and recognized for use in air handling spaces (Plenum Rated) per UL 2043
 - cUL listed per UL 1598, the standard for luminaires. File No. E228153
- International Code Council Evaluation Service (ICC-ES), PMG-1408. Compliant with USA / Canada Building Codes, Hangers for pipe, duct and conduit support. Approval covers:
 - International Building Code (IBC)
 - International Mechanical Code (IMC)
 - International Plumbing Code of Canada (NPC)
 - SMACNA Duct Construction Standard 4th edition



Design & Dimensions



	In	mm
A	1.2	29
B	1.4	35
C	0.4	10

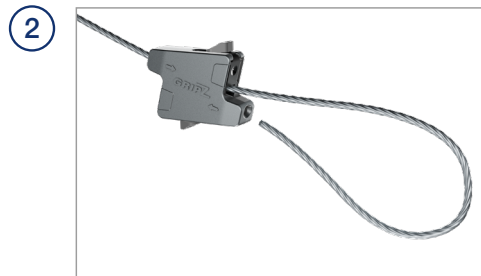
Packaging

PRODUCT CONFIGURATION	PACK QUANTITIES AND CABLE LENGTHS
Hangers Only	100 pack
Hangers & Cable Reel	120 x hangers + 5/64" / 2 mm cable x 330 ft / 100 m
Cable Reels	5/64" / 2 mm cable x 330 ft / 100 m

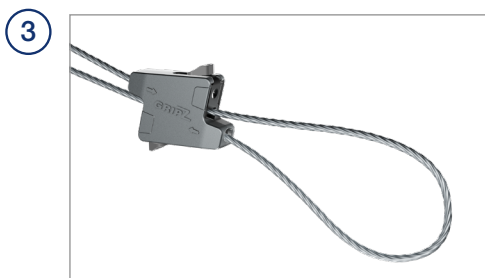
Installation



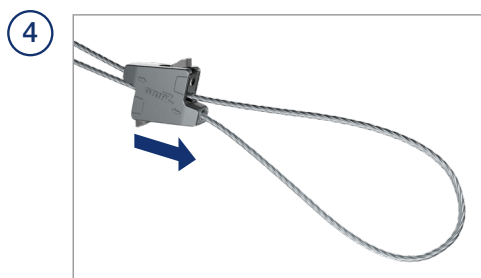
1 Insert the cable through insertion channel following the arrow.



2 Loop cable around the service and feed back through the opposite channel.



3 The loop is now secure. Ensure at least 4" / 100 mm of tail cable exits the hanger and the inclusive angle is <math><60^\circ</math>.



4 To adjust - support the weight of the load. Slide the button to release the cable and make adjustments.

Key Recommendations

Failure to comply with these recommendations may result in product malfunction and possible damage to property or person and will invalidate the Gripple guarantee. Gripple products are guaranteed to be free from defects in materials and workmanship in accordance with our terms and conditions. No other warranty, whether express or implied, including any warranty of merchantability or fitness for purpose shall exist in connection with the sale or use of any Gripple product.

Full technical information and installation instructions should be obtained directly from Gripple Limited, Gripple Europe, Gripple Inc., Gripple Japan, Gripple Poland, Gripple India, Gripple Germany, any regional Gripple office, or via our website www.gripple.com.



LOADS

Always operate the product within its stated safe working load range. Suspend static loads only. Do not subject to shock loading. Do not adjust under load.



LIFTING

Do not use for lifting, either by crane or as part of a pulley system.



IMPACT

If there is potential for impact on the wire rope suspension or suspended services, seek advice from Gripple Ltd. Technical Services prior to installation.



HANGING AT AN ANGLE TO VERTICAL

Ensure that the load calculation considers the effect of 'side load'. For example, at an angle of 60° to vertical the SWL is effectively reduced by 50%.



DUCTING

When installing included angle teardrop hangers on round/spiral ducting or pipes, the final included angle of the assembly should not exceed 60°.



ENVIRONMENT

Do not use in chlorinated or chemically corrosive atmospheres. Standard hangers are for use in dry and air conditioned environments only. Stainless steel hangers should be considered for high to saturated humid environments after validation by a competent person.



SWIMMING POOLS

Not suitable for swimming pools.



TRACEABILITY

Always use the Gripple hanger with the specified wire rope supplied by Gripple. Gripple products should only be used with products supplied by Gripple Ltd., and the warranty will not apply if our products are used with any products supplied by third parties.



LUBRICATION

Do not apply oil or any other lubricant to the hanger or any other part of the assembly.



WIRE ROPE

Trim any damaged filaments with the wire cutter before use.



INSTALLATION

Do not walk or stand on the Gripple product installation. Gripple products must not be used for personal suspension, fall protection or harnessing people.



PAINTING

Do not paint the hanger prior to installation. Ensure the hanger is in its final position prior to applying any paint to the wire rope assembly. Do not move the fastener after painting.



STORING

Do not store the product outdoors, or in damp or abnormal conditions.



Y-FIT

Legs on Y-Fit not to be installed greater than 60°.



REPAIR, MODIFICATION AND RE-USE

Do not repair, modify or re-use Gripple products. If you have any queries regarding product performance, please contact TechnicalServices@gripple.com



JOINING

Never join two ends together in-line.