

Spider Cable Push-In Toggle

Cable Concrete Insert Attachment

Connects directly to our Spider concrete inserts for fast below deck install, thanks to our push-in toggle technology

- **Universal design**
Accepts multiple cable sizes, allowing for decisions on cable sizes to be made after the concrete is poured
- **Adaptable**
Compatible with both Spider metal and wood form concrete inserts
- **Safe**
Once installed the push-in toggle design ensures it cannot be accidentally removed or displaced



Product Specification

Load Rating

No. 2 – up to 120 lbs
 No. 3 – up to 240 lbs
 No. 4 – up to 550 lbs
 No. 5/ No. 6 – up to 800 lbs
 Refer to fastener Load Ratings & Safety Factors on our Gripple Hangers

Material

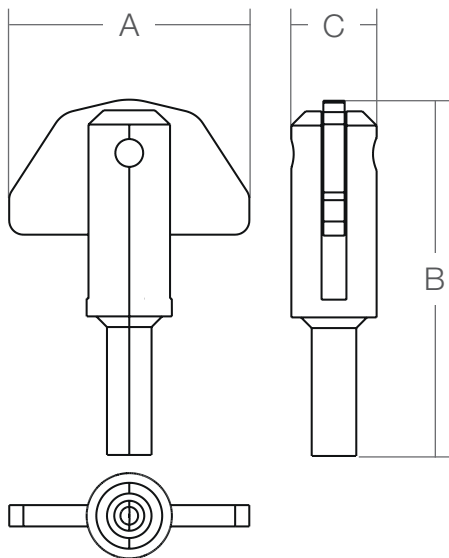
- Toggle – Zinc Plated Steel
- Pin – Zinc Plated Steel
- Shackle – Zinc Plated Steel
- Collar – ABS

Approvals

- International Code Council Evaluation Service (ICC-ES), ESR-4190 for Concrete Slab and Deck. Code compliance with 2021 IBC/IRC. LA Department of Building and Safety (LADBS) LARR Approved through ICC-ES ESR-4190 LABC and LARC supplement. Tested by an accredited independent testing laboratory in accordance with ASTM E488 and ICC-ES AC502 for use in cracked and uncracked concrete under the design provisions of ACI318.
- Underwriters Laboratories (UL Listed)
 UL listed per UL 2239 Conduit & Cable Hardware. File No. E251132.
 Also UL listed and recognized for use in air handling spaces (Plenum Rated) per UL 2043.
 UL Listed per UL 1598, File No. E228153 (Rod Push-In Adapter Sizes 3/8" - 5/8" & all Cable Push-In Toggles)
- The following approval is applicable in the USA and Canada.



Design & Dimensions



	A	B	C
	In	In	In
No. 2	1.33	1.91	0.25
No. 3	1.33	1.91	0.25
No. 4	1.33	2.30	0.35
No. 5/ No. 6	1.33	2.30	0.40

Packaging

Spider Cable Push-In Toggles No. 2	SXT2G
Spider Cable Push-In Toggles No. 3	SXT3G
Spider Cable Push-In Toggles No. 4	SXT4G
Spider Cable Push-In Toggles No. 5/ No. 6	SXT5G

Kit Contents

- 1 x Spider Push-In Cable Toggle
- 1x Gripple Hanger (e.g. UniGrip/ Express/ Hangfast)
- 1x Length of cable*

*Available lengths are 5 ft, 10 ft, 15 ft, 20 ft and 30 ft.

Installation



1 Insert Spider Cable Push-In Toggle into the base of the Spider Insert.

2 Set Spider Cable Push-In Toggle, once inserted completely, always apply downward force to ensure toggle is set.

3 Install chosen hanger for suspending service (example shown using Gripple UniGrip hanger).

Installation Guidance

Do not load the Spider Insert before the concrete is poured and fully cured to recommended compressive strength.

Always use the Spider Cable Push-In Toggle or Spider Rod Push-In Toggle Adapters supplied by Gripple for suspension from the Spider.

Warranty will not apply if used with any other third party products.

Key Recommendations

Failure to comply with these recommendations may result in product malfunction and possible damage to property or person and will invalidate the Gripple guarantee. Gripple products are guaranteed to be free from defects in materials and workmanship in accordance with our terms and conditions. No other warranty, whether express or implied, including any warranty of merchantability or fitness for purpose shall exist in connection with the sale or use of any Gripple product.

Full technical information and installation instructions should be obtained directly from Gripple Limited, Gripple Europe, Gripple Inc., Gripple Japan, Gripple Poland, Gripple India, Gripple Germany, any regional Gripple office, or via our website www.gripple.com.

- | | |
|---|---|
|  <p>LOADS
Always operate the product within its stated safe working load range. Suspend static loads only. Do not subject to shock loading. Do not adjust under load.</p> |  <p>CABLE
Always use the Gripple fastener supplied with Gripple cable. Never use on coated cable or other cable. Trim any damaged filaments with the cable cutter before use.</p> |
|  <p>LIFTING
Do not use for lifting, either by crane or as part of a pulley system.</p> |  <p>INSTALLATION
Do not walk or stand on the Gripple product installation. Gripple products must not be used for personal suspension, fall protection or harnessing people.</p> |
|  <p>IMPACT
If there is potential for impact on the wire rope suspension or suspended services, seek advice from Gripple Ltd. Technical Services prior to installation.</p> |  <p>PAINTING
Do not paint the hanger prior to installation. Ensure the hanger is in its final position prior to applying any paint to the wire rope assembly. Do not move the fastener after painting.</p> |
|  <p>HANGING AT AN ANGLE TO VERTICAL
Ensure that the load calculation considers the effect of 'side load'. For example, at an angle of 60° to vertical the SWL is effectively reduced by 50%.</p> |  <p>STORING
Do not store the product outdoors, or in damp or abnormal conditions.</p> |
|  <p>DUCTING
When installing included angle teardrop hangers on round/spiral ducting or pipes, the final included angle of the assembly should not exceed 60°.</p> |  <p>Y-FIT
Legs on Y-Fit not to be installed greater than 60°.</p> |
|  <p>ENVIRONMENT
Do not use in chlorinated or chemically corrosive atmospheres. Standard hangers are for use in dry and air conditioned environments only. Stainless steel hangers should be considered for high to saturated humid environments after validation by a competent person.</p> |  <p>REPAIR, MODIFICATION AND RE-USE
Do not repair, modify or re-use Gripple products. If you have any queries regarding product performance, please contact TechnicalServices@gripple.com</p> |
|  <p>SWIMMING POOLS
Not suitable for swimming pools.</p> |  <p>JOINING
Never join two ends together in-line.</p> |
|  <p>TRACEABILITY
Always use the Gripple hanger with the specified wire rope supplied by Gripple. Gripple products should only be used with products supplied by Gripple Ltd., and the warranty will not apply if our products are used with any products supplied by third parties.</p> |  <p>TEMPERATURE PERFORMANCE
The standard operating temperature range of this product is -20°C to +70°C (-4°F to +58°F). If increased temperature resistance is required, please contact Gripple Technical Services for advice on your specific application.</p> |
|  <p>LUBRICATION
Do not apply oil or any other lubricant to the hanger or any other part of the assembly.</p> |  <p>WELDING
It is not recommended to weld pipe in place whilst suspended with wire rope or track support systems, unless the necessary arrangements are made to prevent the passage of welding current through the support system.</p> |