

# Trapeze Plus Range



All steel Trapeze Plus with galvanised wire rope is packed with new features to make the suspension of building services even more secure and durable

## FEATURES / BENEFITS

- Reduced time working at height; pre-install into channel using the pre-fitted washer and channel nut supplied
- Tool free setting
- Easy-to-use integral release button to allow fine adjustment
- Tighten the locking screw for ultimate security
- Channel can be multi-tiered to optimise space
- Supplied as a ready-to-use kit with a wide range of end fixings
- Sizes available; No.2 45 kg, No.3 90 kg and No.4 225 kg with a 3:1 safety factor
- Also available with M8/M10 and M12 (Trapeze Plus No.4) flange nut



## INSTALLATION & ADJUSTMENT

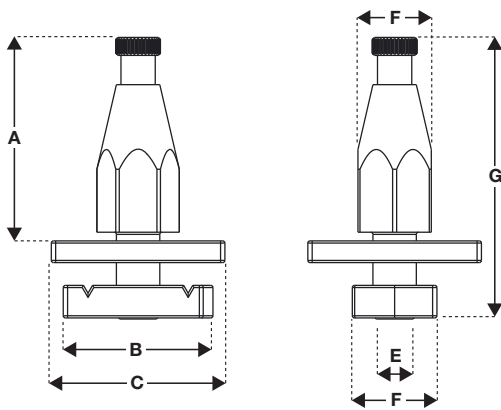
1. Remove load  
2. Pull tail wire through  
3. Release button  
4. Adjust

Lock

Multi-tiered.

Ensure a minimum 75 mm of tail wire exits the hanger.

## SPECIFICATION



Also available with M8, M10 and M12 (No.4) flange nut

| Dimension | No.2 (mm)   | No.3 (mm)   | No.4 (mm)   |
|-----------|-------------|-------------|-------------|
| A         | 38          | 45          | 55          |
| B         | 35          | 35          | 35          |
| C         | 40 x 40 max | 40 x 40 max | 40 x 40 max |
| D         | 15          | 17          | 22          |
| E         | M8          | M10         | M10         |
| F         | 20          | 20          | 20          |
| G         | 58          | 65          | 74          |

## AVAILABLE END FIXINGS



For more options on available end fixings please contact us or visit [www.gripple.com](http://www.gripple.com)

## SUBMITTAL INFORMATION

### Safe Working Load:

No.2 wire - 45 kg @ 3:1 safety factor  
No.3 wire - 90 kg @ 3:1 safety factor  
No.4 wire - 225 kg @ 3:1 safety factor

### Material:

**Carriage** - Mild Steel (Type EN1A) - Bright Zinc Plated  
**Balls** - Grade 40 Chrome Steel  
**Spring** - Stainless Steel (Type 302)  
**Locking nut** - (knurled) Mild Steel (Type EN1A) - Bright Zinc Plated  
**Threaded Adaptor** - Mild Steel (Type EN1A) - Bright Zinc Plated  
**Housing** - Mild Steel (Type EN1A) - Bright Zinc Plated  
**Nut** - Mild Steel (Type EN1A) - Bright Zinc Plated

PI-TRAPEZEPLUS-ENG

[www.gripple.com](http://www.gripple.com)

Gripple's policy is one of continuous development and innovation. We therefore reserve the right to alter specifications, etc. without notice.