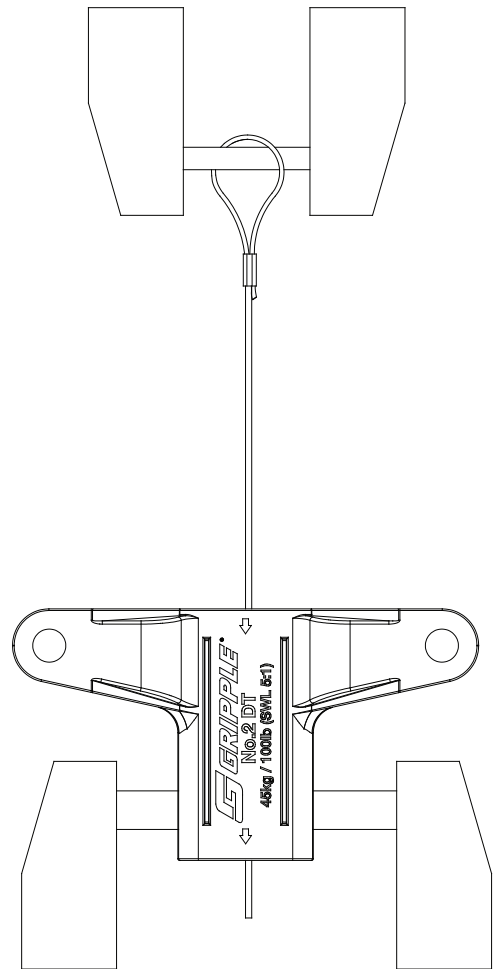


Project: No.2 Duct Trapeze
Client: Gripple Ltd
Client's Order No: I5067
Inspection Date:
First: 28 / 02 / 2011

Certificate No: COV1123223
Office: Sheffield
Date: 28 / 02 / 2011
Order Status: Complete
Final: 28 / 02 / 2011

This certificate is issued to Gripple Ltd to certify that the undersigned surveyor did, at their request attend the premises at The Old West Gun Works, Sheffield on and between the above dates for the purpose of examining and witnessing tests on the items listed below. All tests produced satisfactory results

TEST CONFIGURATION



M Cobb
 Surveyor of Lloyd's Register

Gripple Model	Rope Construction	Gripple Rated Load	Gripple Load Limit 5:1	Results			Average
No.2 Duct Trapeze	7x7 (6/1)	0 - 45 kg 0 - 100 lbs	225 kg 500 lbs	339 kg 745lbs	353 kg 776 lbs	343 kg 754 lbs	345 kg 759 lbs