

KNOCKOUT (FEAT. ANGEL HANGER)

Single channel Gripple hanger for use with Gripple No.1 cable



Size: No.1

Max. Safe Working Load: 15kg / 33 lbs

PRODUCT INFORMATION

FUNCTION - The suspension of lighting using knockout centers. NOT suitable for use in chlorinated / swimming pool environments.

APPLICATION - For suspending a variety of light fittings using the 7/8" knockout center. The back of the fitting does not need removing to install.

LOAD RATING - 5:1 safety factory

MATERIAL SPECIFICATION -

Knockout:

- 1) **Housing:** ABS plastic
- 2) **Spring:** Steel

Angel Hanger:

- 1) **Housing:** No.2 ZINC ALLOY (EN 12844 ZP2)
- 2) **Plating:** BRIGHT NICKEL PLATE 10-20µ (BS 4758)
- 3) **Roller:** MATERIAL:BRASS (BS EN 12164 CW 614N(CZ121 PB3))
- 4) **Spring:** DELRIN (POM) 511P NC010

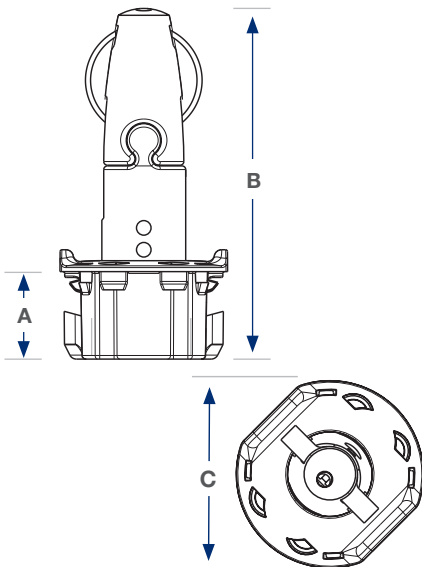
Cable:

Galvanized high tensile steel cable to EN12385.

Standard lengths from 5ft-30 ft, other lengths can be made to order, with a variety of end fixings (submittal data on request).

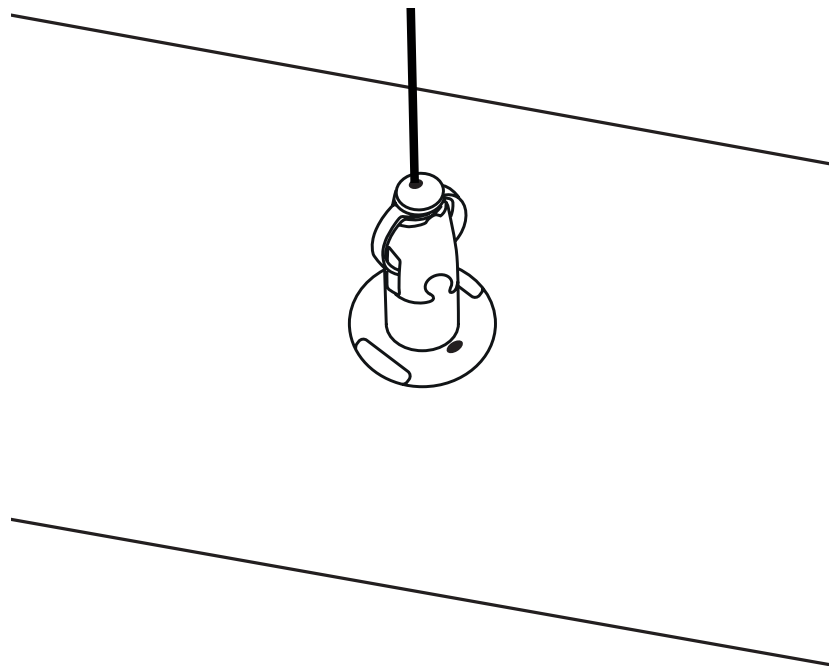
	No.3
Cable Diameter (in.)	1.5 mm / 3/64 in.
Strand configuration	7x7
Min. breaking load (lbs)	80 kg / 176 lbs
Max. safe working load (lbs)	15 kg / 33 lbs
Tensile strength (lbs/sq. in.)	18,050 kmf/cm ² 256,717 psi

SIZE SPECIFICATION



Dimension	Size (in)
A	1 ⁵ / ₃₂
B	1 5 ⁷ / ₆₄
C	Ø 6 ³ / ₆₄

APPLICATION



The Angel is UL listed for Luminaire Fittings; Report reference E228153

Gripple's policy is one of continuous development and innovation. We therefore reserve the right to alter specifications, etc. without notice.

BUS-SUB-LIS-US-KNOCKOUT

www.gripple.com



Gripple Inc | 1611 Emily Lane | Aurora, IL 60502 | USA

Tel +1 866 474 7753 Fax +1 800 654 0689 email usinfo@gripple.com