

# Gripple Drop-in Anchor

Punch activated drop-in anchor for fixing into concrete and hollow-core ceiling slabs.

## ADVANTAGES

- Shallow embedment depth.
- The fixing is flush to the surface after setting.
- Setting tool leaves a visible impression for easy inspection of correct installation.
- Supplied as standard with all stud kits, also accepts pigtail anchor bolts.

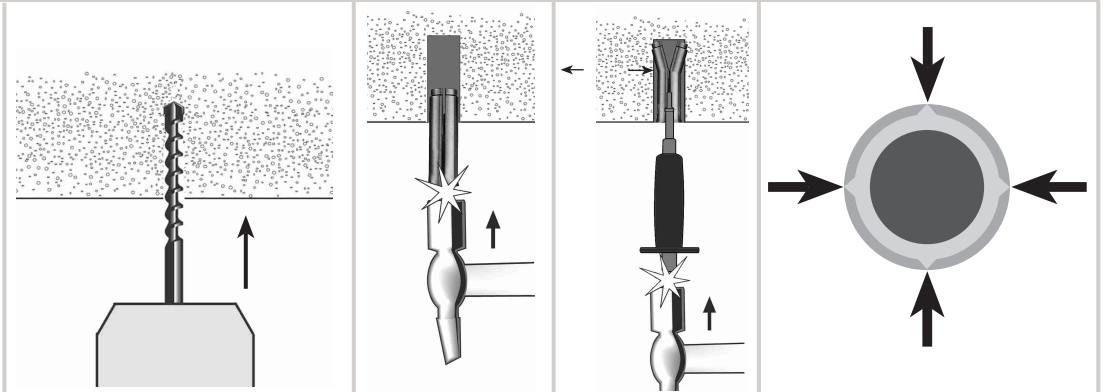


## PRODUCT INFORMATION

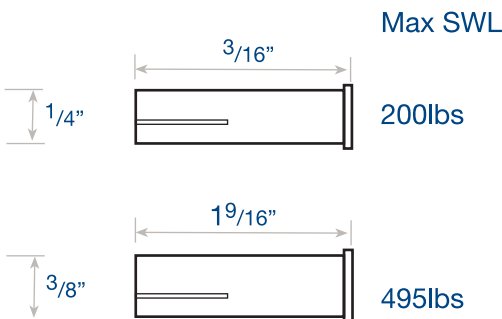
- Available in 1/4" and 3/8"
- Product can be loaded immediately after installation.
- The indicated load value applies to non-cracked concrete C20/25, no edge distance and spacing influence.

## INSTALLATION

1. Drill a hole and clear with a wire brush.
2. Hammer in.
3. Set installation using appropriately sized setting punch.
4. Correct installation shows visible markings.



## CONCRETE SCREW ANCHOR SPECIFICATION



## Important Information

1. Construction materials and conditions vary on different sites. If it is suspected that the base material has insufficient strength to achieve a suitable fixing, contact Gripple Inc. The responsibility for judgement of base material strength lies with the installer, and not with Gripple Inc.
2. The information and recommendations given herein are believed to be correct at time of writing. The data has been obtained from tests done under laboratory, or other controlled conditions and it is the user's responsibility to use the data given in light of conditions on site, taking account of the intended use of the products concerned.
3. While Gripple Inc can give general guidance and advice, the nature of Gripple products means that the ultimate responsibility for selecting the correct product for a particular application must lie with the customer.
4. All products must be used, handled and applied in accordance with current product instructions and manufacturers recommendations for use, published by Gripple Inc.
5. Gripple's policy is one of continuous development and innovation. We therefore reserve the right to alter specifications, etc. without notice.