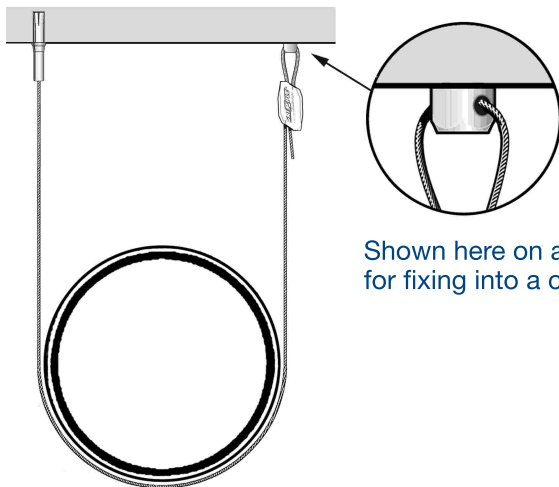


Gripple M6 and M8 Adaptor

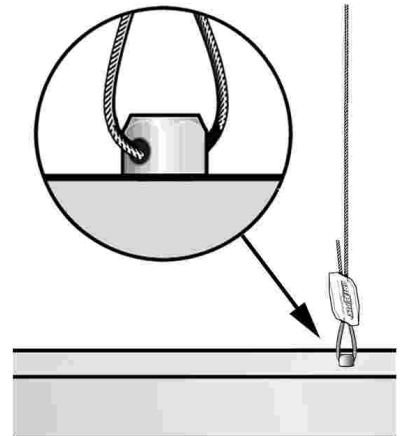
Ideal for fixing to luminaires, drop-in anchors cable tray, hanging brackets and other products with 6 or 8mm hole.

PRODUCT INFORMATION

- Designed for use with No.1 - No.4.
- Safe working load 225kg with 5:1 safety factor.
- Ideal for fixing to suspended services with a 6mm or 8mm hole.
- Comes complete with corresponding serrated nut.
- Can be fixed to concrete using an M6 or M8 drop-in anchor.

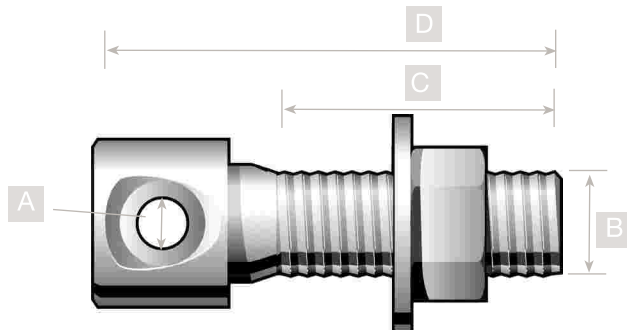


Shown here on a cradle hanger for fixing into a concrete ceiling.



An ideal accessory for securing a Gripple hanger directly onto a suspended light fitting.

M6 & M8 ADAPTOR SPECIFICATION



Size	A mm	B mm	C mm	D mm
M6	3.5	6	20	27
M8	5.5	8	27	37

Important Information

1. Construction materials and conditions vary on different sites. If it is suspected that the base material has insufficient strength to achieve a suitable fixing, contact Gripple Ltd. The responsibility for judgement of base material strength lies with the installer, and not with Gripple Ltd.
2. The information and recommendations given herein are believed to be correct at time of writing. The data has been obtained from tests done under laboratory, or other controlled conditions and it is the users responsibility to use the data given in light of conditions on site, taking account of the intended use of the products concerned.
3. Whilst Gripple Ltd can give general guidance and advice, the nature of Gripple products means that the ultimate responsibility for selecting the correct product for a particular application must lie with the customer.
4. All products must be used, handled and applied in accordance with current product instructions and manufacturers recommendations for use, published by Gripple Ltd.
5. Gripple's policy is one of continuous development and innovation. We therefore reserve the right to alter specifications, etc. without notice.