

# Catenary wall bracket



Ideal for attaching a 6 mm or 3 mm catenary (CTI) kit from a concrete wall or wooden beam.

## ADVANTAGES

- Available in 100 mm x 100 mm for concrete walls and wooden beams
- 11 mm diameter holes
- 65 mm hole spacing
- Large ring for easy wire rope attachment
- Zinc plated finish (minimum 5  $\mu$ )
- Ready to install
- Load rating: 340 kg @ 3:1 safety factor  
(load rating depends on base material)



Product code:  
CAT-BRACKET-100MM

## INSTALLATION



Step 1: Position the wall bracket against the wall and drill 4 holes at 10 mm diameter.



Step 2: Insert the M10 bolts and anchors into the concrete wall. Bolts are not supplied. Be sure to follow the manufacturer's installation recommendations.

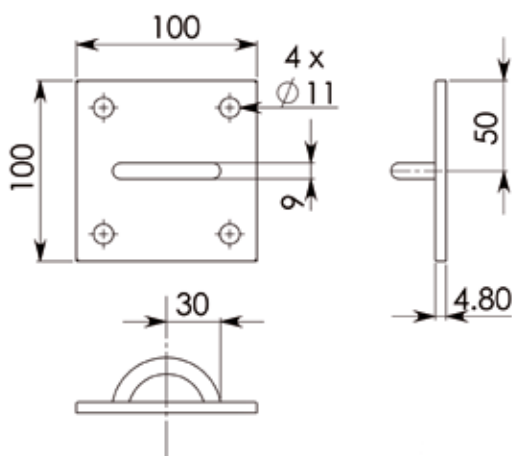


Step 3: Position the Wall bracket onto the wall.

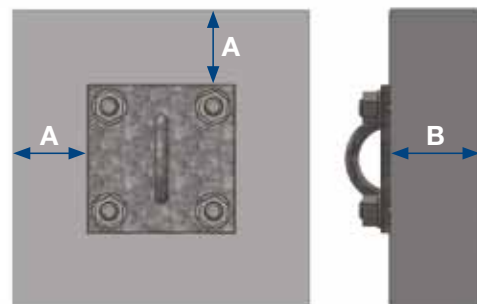


Step 4: Screw the washers and bolts and tighten them onto the wall bracket.

## PRODUCT SPECIFICATIONS



## IMPORTANT RECOMMENDATIONS



! The minimum distance A and B from the edge of the concrete has to be in line with anchor bolt or screw manufacturer's recommendations.