

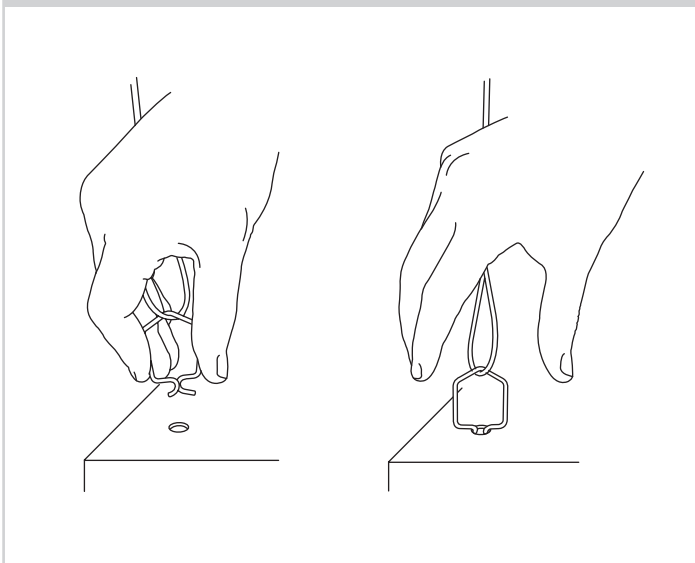
The Spring clip is ideal for fixing to suspended services with 6 mm to 8 mm holes.

## ADVANTAGES

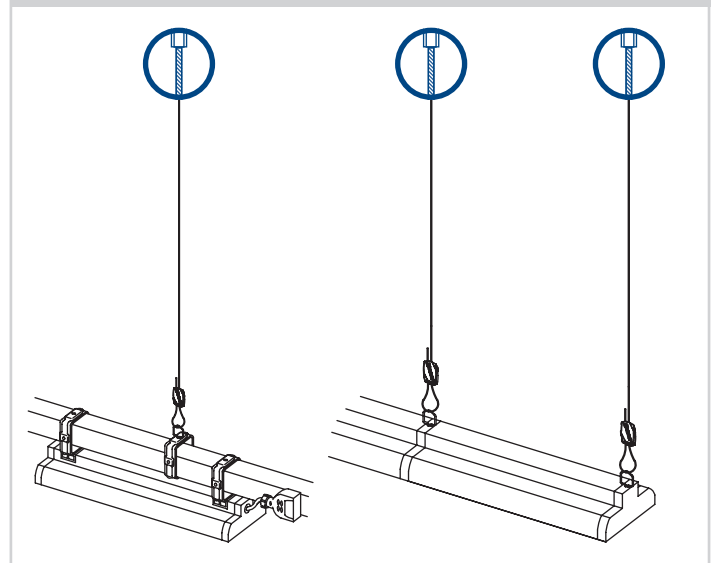
- Ideal for fixing into services with limited space
- Available for 6 - 8 mm holes
- Designed for use on low bay lighting, busbar, strip lighting and luminaires
- Spring action prevents pull-out
- Rated at SWL of 30 kg @ 3:1



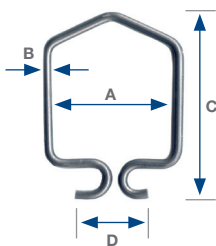
## INSTALLATION



## APPLICATIONS



## PRODUCT DIMENSIONS



Dimension	Size hole (D)	A (mm)	B (mm)	C (mm)
CLIP-SPG-68	6 - 8 mm	24	2	38

## IMPORTANT INFORMATION

1. Construction materials and conditions vary on different sites. If it is suspected that the base material has insufficient strength to achieve a suitable fixing, contact Gripple Ltd. The responsibility for judgement of base material strength lies with the installer, and not with Gripple Ltd.
2. The information and recommendations given herein are believed to be correct at time of writing. The data has been obtained from tests done under laboratory, or other controlled conditions and it is the users responsibility to use the data given in light of conditions on site, taking account of the intended use of the products concerned.
3. Whilst Gripple Ltd can give general guidance and advice, the nature of Gripple products means that the ultimate responsibility for selecting the correct product for a particular application must lie with the customer.
4. All products must be used, handled and applied in accordance with current product instructions and manufacturers recommendations for use, published by Gripple Ltd.
5. Gripple's policy is one of continuous development and innovation. We therefore reserve the right to alter specifications, etc. without notice.