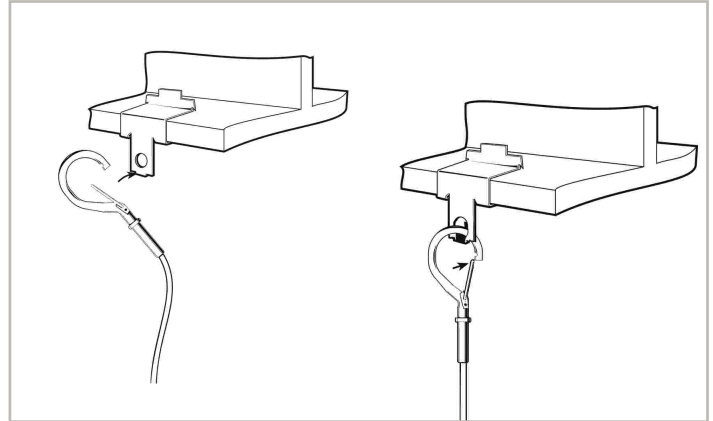


# Gripple beam and purlin clips

Gripple beam and purlin clips are ideal for attaching Gripple hangers when access or drilling restrictions are encountered.

## PRODUCT INFORMATION

- Available to suit a variety of Gripple hangers
  - Loops (ferruled on, or choke knot)
  - Toggles
  - Snap-on hooks
- Range to suit a variety of beams, flanges and purlins.



### Tiger Clip

Code	A (mm)	B (mm)	C (mm)	Ø (mm)	Load rated 5:1 safety factor
HF-TIGERCLIP-2-8	2-8	30	30	6.7	90kg
HF-TIGERCLIP-8-16	8-16	32	38	6.7	90kg

### Beam Clip

Code	A (mm)	B (mm)	Ø (mm)	Load rated 5:1 safety factor
HF-GCB24	2-4	16	6.5	10kg
HF-GCB59	5-9	21	6.5	45kg
HF-GCB1016	10-16	30	6.5	45kg
HF-GCB1720	17-20	32	6.5	45kg

### Vertical Flange Clip

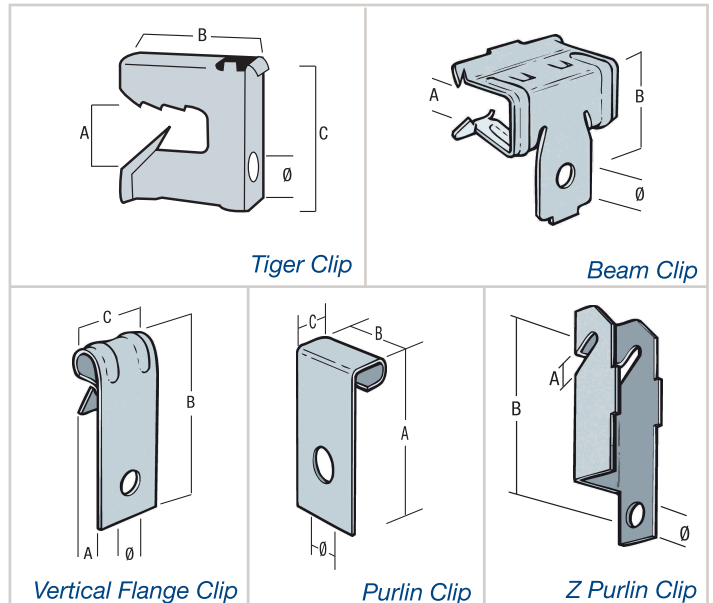
Code	A (mm)	B (mm)	C (mm)	Ø (mm)	Load rated 5:1 safety factor
HF-GCVF15	1-5	39	19	6.5	45kg
HF-GCVF57	5-7	40	19	6.5	45kg

### Purlin Clip

Code	A (mm)	B (mm)	C (mm)	Ø (mm)	Load rated 5:1 safety factor
HF-GCP45	45	19	15	6.5	10kg

### Z Purlin Hanger

Code	A (mm)	B (mm)	Ø (mm)	Load rated 5:1 safety factor
HF-GCZP48	max. 2.5	48	6.5	10kg



## Important Information

1. Construction materials and conditions vary on different sites. If it is suspected that the base material has insufficient strength to achieve a suitable fixing, contact Gripple Ltd. The responsibility for judgement of base material strength lies with the installer, and not with Gripple Ltd.
2. The information and recommendations given herein are believed to be correct at time of writing. The data has been obtained from tests done under laboratory, or other controlled conditions and it is the users responsibility to use the data given in light of conditions on site, taking account of the intended use of the products concerned.
3. Whilst Gripple Ltd can give general guidance and advice, the nature of Gripple products means that the ultimate responsibility for selecting the correct product for a particular application must lie with the customer.
4. All products must be used, handled and applied in accordance with current product instructions and manufacturers recommendations for use, published by Gripple Ltd.
5. Gripple's policy is one of continuous development and innovation. We therefore reserve the right to alter specifications, etc. without notice.