

The GF bracket is ideal for clamping onto an I-Beam when it's not possible to loop around with the catenary wire, or when the height of the beam is too great.

ADVANTAGES

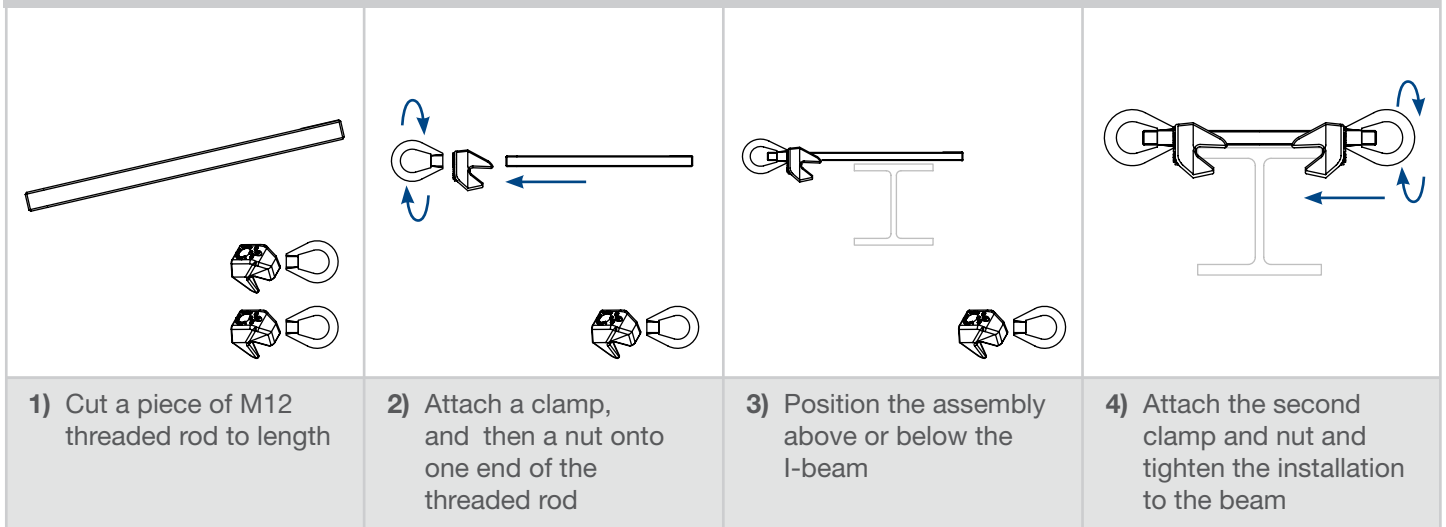
- Fitted easily and securely by hand, no on-site power required
- Removes the need to loop around an I-beam
- Ideal for large I-beams that would create an angle greater than 60° at the Gripple Lockable
- Aesthetically pleasing

PRODUCT INFORMATION

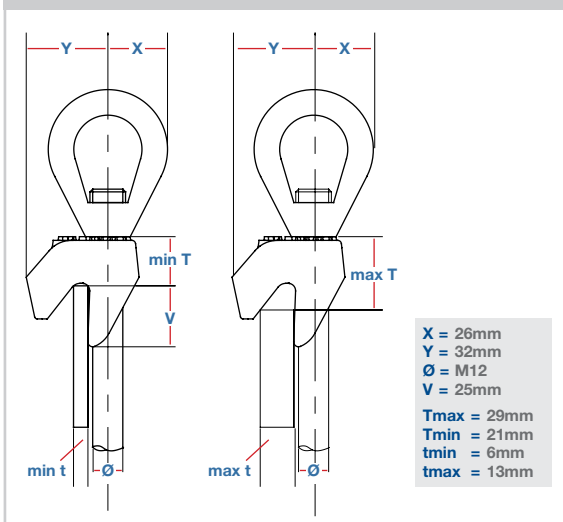
- Designed for use with M12 threaded rod
- Suitable for I-beams 6-13 mm in thickness
- Load rated at 340kg with a 5:1 safety factor
- No additional washers or nuts required
- Threaded rod not included as part of the kit



INSTALLATION



PRODUCT DIMENSIONS



IMPORTANT INFORMATION

1. Construction materials and conditions vary on different sites. If it is suspected that the base material has insufficient strength to achieve a suitable fixing, contact Gripple Ltd. The responsibility for judgement of base material strength lies with the installer, and not with Gripple Ltd.
2. The information and recommendations given herein are believed to be correct at time of writing. The data has been obtained from tests done under laboratory, or other controlled conditions and it is the users responsibility to use the data given in light of conditions on site, taking account of the intended use of the products concerned.
3. Whilst Gripple Ltd can give general guidance and advice, the nature of Gripple products means that the ultimate responsibility for selecting the correct product for a particular application must lie with the customer.
4. All products must be used, handled and applied in accordance with current product instructions and manufacturers recommendations for use, published by Gripple Ltd.
5. Gripple's policy is one of continuous development and innovation. We therefore reserve the right to alter specifications, etc. without notice.