

# End Stop



For the suspension of HVAC, Mechanical, Lighting & Electrical services in an indoor stationary setting.  
NOT suitable for use in chlorinated / swimming pool environments.

## APPLICATION / MATERIAL SPECS

Slides into lighting channels, track, and other channel fixtures.

### MATERIAL

**Cable:** Galvanized high tensile steel cable to EN12385.

Standard lengths from 5ft-30ft, other lengths can be made to order.

	No. 2
Cable Dia. (in.)	5/64"
Strand configuration	7x7

**End Stop:** Zinc plated steel

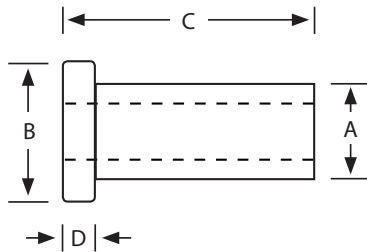
\* Refer to fastener load ratings and safety factors.

## END STOP

Cable with crimped End Stop\*

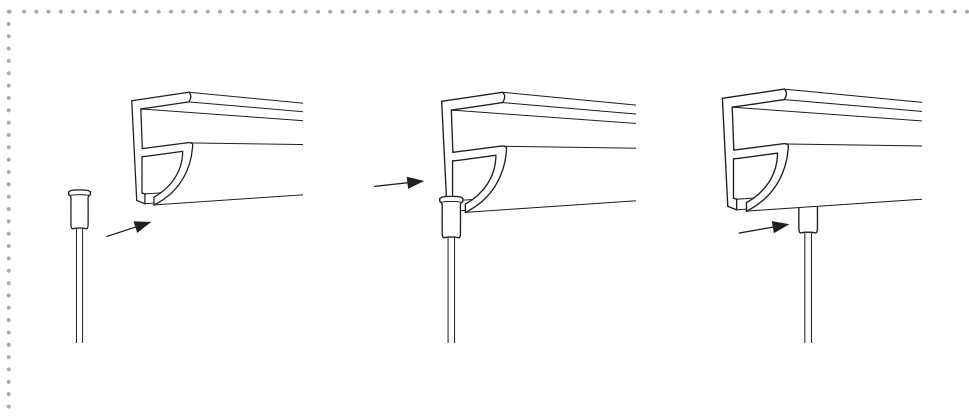


## SIZE SPECS

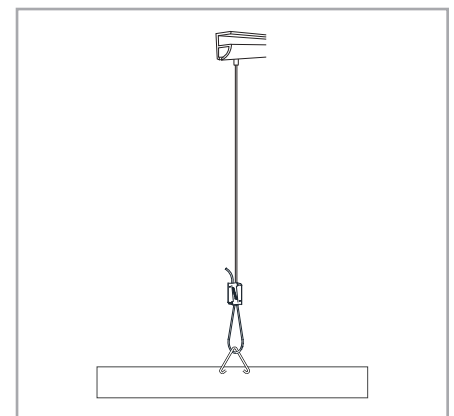


Size	A (in.)	B (in.)	C (in.)	D (in.)
No. 1	5/32"	1/4"	5/16"	1/16"
No. 2	1/4"	5/16"	15/32"	1/16"
No. 3	1/4"	3/8"	3/4"	1/8"

## INSTALLATION



## APPLICATION EXAMPLE



SUB-ENDSTOP-US

[www.gripple.com](http://www.gripple.com)

Gripple's policy is one of continuous development and innovation. We therefore reserve the right to alter specifications, etc. without notice.



Gripple Inc | 1611 Emily Lane | Aurora, IL 60502 | USA

Tel +1 866 474 7753 Fax +1 800 654 0689 Email [grippleinc@gripple.com](mailto:grippleinc@gripple.com)