

TR60 Wedge End Fixing

The TR60 is ideal for the suspension of building services and is designed for specific use with SMD TR60 and TR80 decking.

ADVANTAGES

- Reduces installation time.
- No specialist tools or skills required.
- No risk of delamination.
- Adjustable and removable.
- No power required on site.
- Structural integrity of decking maintained.

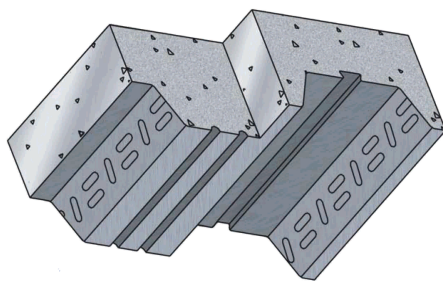
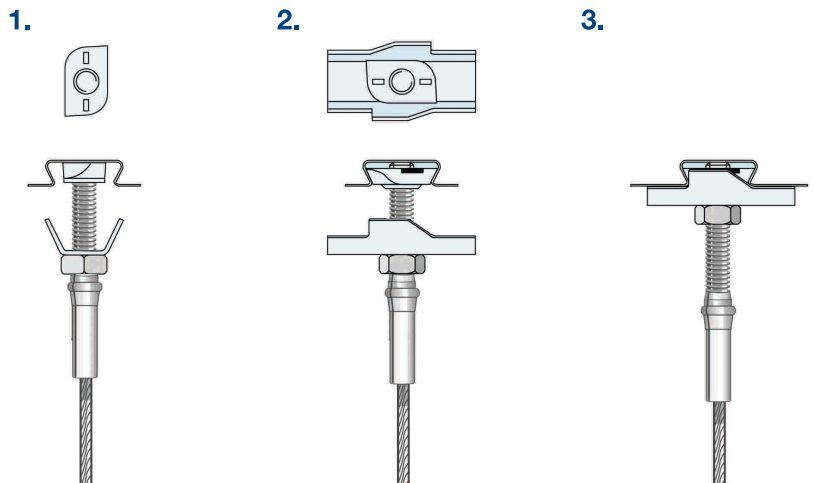
PRODUCT INFORMATION

- Sold as a kit with Gripple M8 Stud hangers No.2 and No.3.
- Safe working load 90kg, with a 3:1 safety factor.



INSTALLATION

1. Insert the wedge into the re-entrant channel of the decking, flat surface uppermost and rotate until the chamfered cams engage on the sides of the channel, the wedge should be firmly locked in place.
2. Slide the plate up the M8 Stud thread and over the wedge to lock it into position in the channel.
3. Tighten the locknut beneath the plate to hold the assembly in position.



SMD



TR60
TR80

Important Information

1. Construction materials and conditions vary on different sites. If it is suspected that the base material has insufficient strength to achieve a suitable fixing, contact Gripple Ltd. The responsibility for judgement of base material strength lies with the installer, and not with Gripple Ltd.
2. The information and recommendations given herein are believed to be correct at time of writing. The data has been obtained from tests done under laboratory, or other controlled conditions and it is the users responsibility to use the data given in light of conditions on site, taking account of the intended use of the products concerned.
3. Whilst Gripple Ltd can give general guidance and advice, the nature of Gripple products means that the ultimate responsibility for selecting the correct product for a particular application must lie with the customer.
4. All products must be used, handled and applied in accordance with current product instructions and manufacturers recommendations for use, published by Gripple Ltd.
5. Gripple's policy is one of continuous development and innovation. We therefore reserve the right to alter specifications, etc. without notice.