

# Gripple End Stop End Fixing

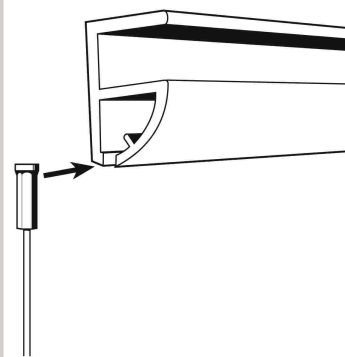
Easy, slide-on end fixing for suspending from lighting channels, lighting track and other channel fixtures.

## ADVANTAGES

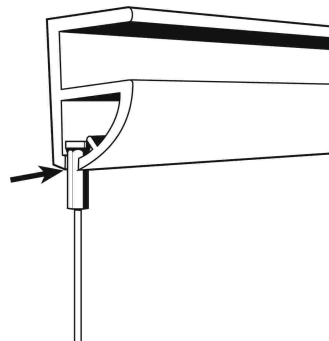
- Quick and easy to install.
- Supplied as a ready-to-use kit, with a length of wire and Gripple as part of the kit.
- Ideal for lightweight channel suspensions.
- For Gripple sizes No.1, No.2, No.3, No.4 and Trapeze.



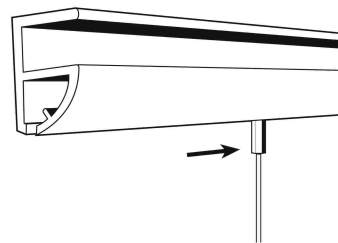
## INSTALLATION



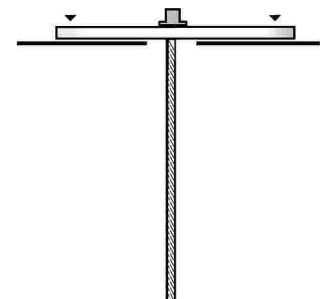
1. The end stop is suitable for a variety of channel applications.



2. Slide the end stop into the channel, with the largest end uppermost.



3. The end stop can be easily positioned within the channel.

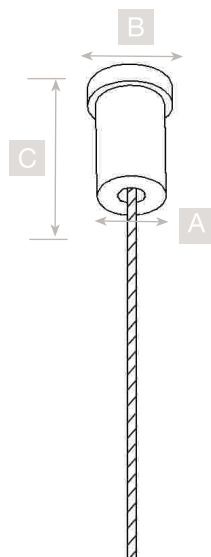


(see Toggle end fixing)

4. A Toggle end is an alternative for larger cavity installations.

## END STOP SPECIFICATION

Size	A mm	B mm	C mm
No.1	4.2	5.9	8
No.2	6.2	7.7	12
No.3	6.2	9.7	18
No.4	8.8	12.4	27



The Gripple end stop is a mild steel, zinc coated end stop, which is pressed onto the wire rope.

## Important Information

1. Construction materials and conditions vary on different sites. If it is suspected that the base material has insufficient strength to achieve a suitable fixing, contact Gripple Ltd. The responsibility for judgement of base material strength lies with the installer, and not with Gripple Ltd.
2. The information and recommendations given herein are believed to be correct at time of writing. The data has been obtained from tests done under laboratory, or other controlled conditions and it is the users responsibility to use the data given in light of conditions on site, taking account of the intended use of the products concerned.
3. Whilst Gripple Ltd can give general guidance and advice, the nature of Gripple products means that the ultimate responsibility for selecting the correct product for a particular application must lie with the customer.
4. All products must be used, handled and applied in accordance with current product instructions and manufacturers recommendations for use, published by Gripple Ltd.
5. Gripple's policy is one of continuous development and innovation. We therefore reserve the right to alter specifications, etc. without notice.