

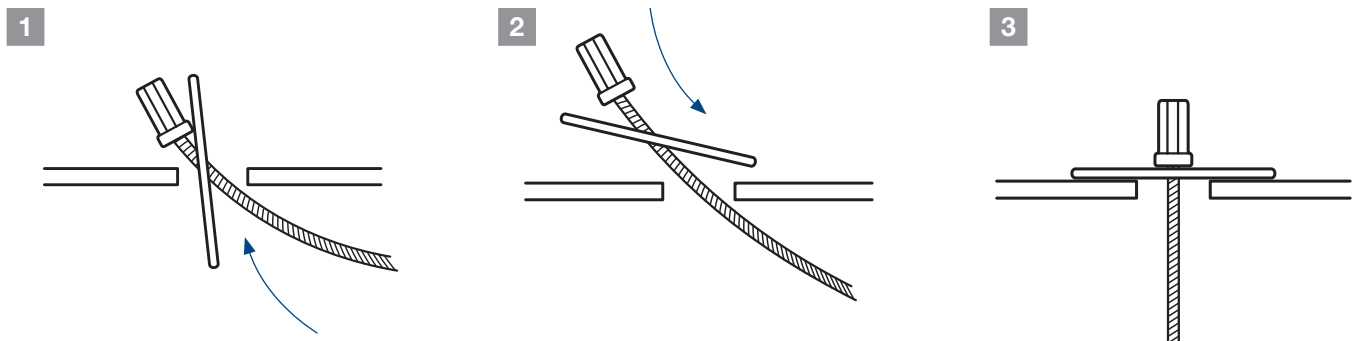
Designed for profile roof decking, light fittings and other pre-drilled structures.

FEATURES / BENEFITS

- An ingeniously fast and simple fixing method for sheet metal.
- Ideal for profile roof decking, light fittings and other pre-drilled structures
- Toggle end fixing is an integral part of the rope, requiring no additional accessories
- Each size is purpose designed to fit a specific hole diameter:
 No.1 - drill 6 mm
 No.2 - drill 8 mm
 No.3 - drill 10 mm

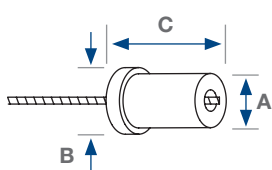


INSTALLATION



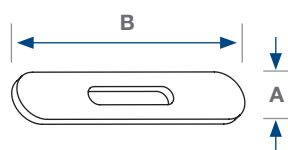
PRODUCT SPECIFICATIONS

END STOP SPECIFICATION



Size	A (mm)	B (mm)	C (mm)
No.1	4.2	5.9	8
No.2	6.2	7.9	12
No.3	6.2	9.9	18

TOGGLE SPECIFICATION



Size	A (mm)	C (mm)
No.1	5.8	40
No.2	7.8	40
No.3	9.7	50

WARNING

There are many different types of concrete which have different anchoring properties. Prior to installation, installer must satisfy himself that concrete is suitable for use with this anchor.

IMPORTANT RECOMMENDATIONS

1. Construction materials and conditions vary on different sites. If it is suspected that the base material has insufficient strength to achieve a suitable fixing, contact Gripple Ltd. The responsibility for judgement of base material strength lies with the installer, and not with Gripple Ltd.
2. Not to be used in marine, coastal or corrosive environments.
3. The information and recommendations given herein are believed to be correct at time of writing. The data has been obtained from tests done under laboratory, or other controlled conditions and it is the users responsibility to use the data given in light of conditions on site, taking account of the intended use of the products concerned.
4. Whilst Gripple Ltd can give general guidance and advice, the nature of Gripple products means that the ultimate responsibility for selecting the correct product for a particular application must lie with the customer.
5. All products must be used, handled and applied in accordance with current product instructions and manufacturers recommendations for use, published by Gripple Ltd.

Gripple's policy is one of continuous development and innovation. We therefore reserve the right to alter specifications, etc. without notice.

PI-05-ENG-A

www.gripple.com



Gripple Ltd | The Old West Gun Works | Savile Street East | Sheffield S4 7UQ
 Tel 0800 018 4264 Fax 0114 275 1155 email info@gripple.com